

# PRODUCT FAMILY DATASHEET

## DOWNLIGHT ALU

Downlight luminaires with aluminum housing



---

### AREAS OF APPLICATION

- Direct replacement for luminaires with fluorescent lamps
- General illumination
- Public areas
- Stairways
- Corridors
- Foyers
- Shops

---

### PRODUCT BENEFITS

- High luminous efficacy
- Energy savings up to 60 % (compared to luminaires that use CFL lamps)
- Very homogenous light
- Functional design
- Easy installation with fast connection
- External driver for extended flexibility (compatible with selected DALI drivers)
- 5 years guarantee

---

### PRODUCT FEATURES

- Diameter of required ceiling cut-out: 150 mm or 200 mm (depending on version)
- Type of protection: IP44



TECHNICAL DATA

Product description	Electrical data			Luminaire control gear data					
	Nominal wattage	Nominal voltage	Mains frequency	Ouput current	ECG - Output ripple current	ECG - Length	ECG - Width	Max. no. of lum. on circuit break. B16 A	
DL ALU DN 150 14 W 3000 K IP44 WT	14.00 W	220...240 V	50/60 Hz	27...42 mA	<45 %	83 mm	39 mm	128	
DL ALU DN 150 14 W 4000 K IP44 WT	14.00 W	220...240 V	50/60 Hz	27...42 mA	<45 %	83 mm	39 mm	128	
DL ALU DN 150 14 W 6500 K IP44 WT	14.00 W	220...240 V	50/60 Hz	27...42 mA	<45 %	83 mm	39 mm	128	
DL ALU DN 200 25 W 3000 K IP44 WT	25.00 W	220...240 V	50/60 Hz	27...42 mA	<30 %	111 mm	45 mm	86	
DL ALU DN 200 25 W 4000 K IP44 WT	25.00 W	220...240 V	50/60 Hz	27...42 mA	<30 %	111 mm	45 mm	86	
DL ALU DN 200 25 W 6500 K IP44 WT	25.00 W	220...240 V	50/60 Hz	27...42 mA	<30 %	111 mm	45 mm	86	
DL ALU DN 200 35 W 3000 K IP44 WT	35.00 W	220...240 V	50/60 Hz	27...42 mA	<35 %	138 mm	45 mm	67	
DL ALU DN 200 35 W 4000 K IP44 WT	35.00 W	220...240 V	50/60 Hz	27...42 mA	<35 %	138 mm	45 mm	67	
DL ALU DN 200 35 W 6500 K IP44 WT	35.00 W	220...240 V	50/60 Hz	27...42 mA	<35 %	138 mm	45 mm	67	

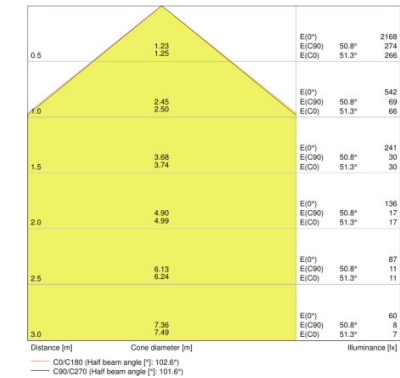
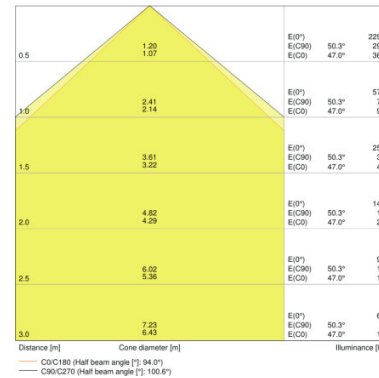
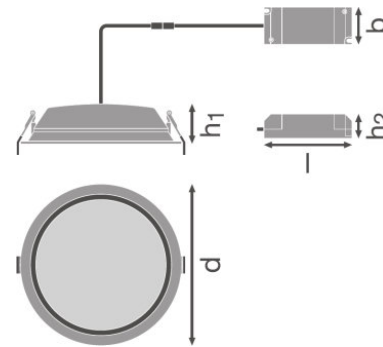
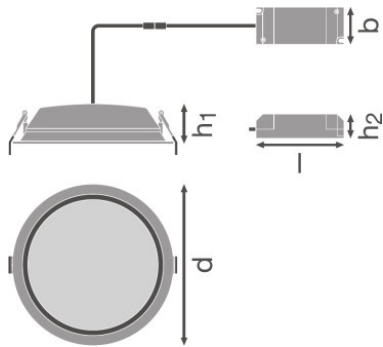
Product description	Max. no. of lum. on circuit break. C10 A	Max. no. of lum. on circuit break. C16 A	Photometrical data			Light technical data	Dimensions & weight		
			Luminous flux	Light color (designation)	Color rendering index Ra	Beam angle	Diameter	Height	Product weight
DL ALU DN 150 14 W 3000 K IP44 WT	80	128	1190 lm	Warm White	>80	100.00 °	160.0 mm	52.0 mm	360.00 g
DL ALU DN 150 14 W 4000 K IP44 WT	80	128	1260 lm	Cool White	>80	100.00 °	160.0 mm	52.0 mm	360.00 g

Product description	Max. no. of lum. on circuit break. C10 A	Max. no. of lum. on circuit break. C16 A	Photometrical data			Light technical data	Dimensions & weight		
			Luminous flux	Light color (designation)	Color rendering index Ra	Beam angle	Diameter	Height	Product weight
DL ALU DN 150 14 W 6500 K IP44 WT	80	128	1330 lm	Cool Daylight	>80	100.00 °	160.0 mm	52.0 mm	360.00 g
DL ALU DN 200 25 W 3000 K IP44 WT	66	106	2250 lm	Warm White	>80	100.00 °	215.0 mm	61.0 mm	600.00 g
DL ALU DN 200 25 W 4000 K IP44 WT	66	106	2370 lm	Cool White	>80	100.00 °	215.0 mm	61.0 mm	600.00 g
DL ALU DN 200 25 W 6500 K IP44 WT	66	106	2370 lm	Cool Daylight	>80	100.00 °	215.0 mm	61.0 mm	600.00 g
DL ALU DN 200 35 W 3000 K IP44 WT	50	100	2975 lm	Warm White	>80	100.00 °	215.0 mm	61.0 mm	600.00 g
DL ALU DN 200 35 W 4000 K IP44 WT	50	100	3150 lm	Cool White	>80	100.00 °	215.0 mm	61.0 mm	600.00 g
DL ALU DN 200 35 W 6500 K IP44 WT	50	100	3150 lm	Cool Daylight	>80	100.00 °	215.0 mm	61.0 mm	600.00 g

Product description	Mounting diameter	Colors & materials			Temperatures & operating conditions	Lifespan	
		Body material	Product color	Cover material	Ambient temperature range	Lifespan L70 at 25 °C	Lifespan L80 at 25 °C
DL ALU DN 150 14 W 3000 K IP44 WT	150.0 mm	Aluminum	White	Polymethylmethacrylate (PMMA)	-20...45 °C	50000 h	45000 h
DL ALU DN 150 14 W 4000 K IP44 WT	150.0 mm	Aluminum	White	Polymethylmethacrylate (PMMA)	-20...45 °C	50000 h	45000 h
DL ALU DN 150 14 W 6500 K IP44 WT	150.0 mm	Aluminum	White	Polymethylmethacrylate (PMMA)	-20...45 °C	50000 h	45000 h
DL ALU DN 200 25 W 3000 K IP44 WT	200.0 mm	Aluminum	White	Polymethylmethacrylate (PMMA)	-20...45 °C	50000 h	45000 h
DL ALU DN 200 25 W 4000 K IP44 WT	200.0 mm	Aluminum	White	Polymethylmethacrylate (PMMA)	-20...45 °C	50000 h	45000 h

Product description	Mounting diameter	Colors & materials			Temperatures & operating conditions	Lifespan	
		Body material	Product color	Cover material	Ambient temperature range	Lifespan L70 at 25 °C	Lifespan L80 at 25 °C
DL ALU DN 200 25 W 6500 K IP44 WT	200.0 mm	Aluminum	White	Polymethylmethacrylate (PMMA)	-20...45 °C	50000 h	45000 h
DL ALU DN 200 35 W 3000 K IP44 WT	200.0 mm	Aluminum	White	Polymethylmethacrylate (PMMA)	-20...45 °C	50000 h	45000 h
DL ALU DN 200 35 W 4000 K IP44 WT	200.0 mm	Aluminum	White	Polymethylmethacrylate (PMMA)	-20...45 °C	50000 h	45000 h
DL ALU DN 200 35 W 6500 K IP44 WT	200.0 mm	Aluminum	White	Polymethylmethacrylate (PMMA)	-20...45 °C	50000 h	45000 h

Product description	Lifespan L90 at 25 °C	Capabilities		Certificates & standards	
		Dimmable	Type of connection	Protection class	Type of protection
DL ALU DN 150 14 W 3000 K IP44 WT	30000 h	No	Screwless terminal, 2-Pole	II	IP44
DL ALU DN 150 14 W 4000 K IP44 WT	30000 h	No	Screwless terminal, 2-Pole	II	IP44
DL ALU DN 150 14 W 6500 K IP44 WT	30000 h	No	Screwless terminal, 2-Pole	II	IP44
DL ALU DN 200 25 W 3000 K IP44 WT	30000 h	No	Screwless terminal, 2-Pole	II	IP44
DL ALU DN 200 25 W 4000 K IP44 WT	30000 h	No	Screw terminal, 2-Pole (L,N)	II	IP44
DL ALU DN 200 25 W 6500 K IP44 WT	30000 h	No	Screw terminal, 2-Pole (L,N)	II	IP44
DL ALU DN 200 35 W 3000 K IP44 WT	30000 h	No	Screw terminal, 2-Pole (L,N)	II	IP44
DL ALU DN 200 35 W 4000 K IP44 WT	30000 h	No	Screw terminal, 2-Pole (L,N)	II	IP44
DL ALU DN 200 35 W 6500 K IP44 WT	30000 h	No	Screw terminal, 2-Pole (L,N)	II	IP44

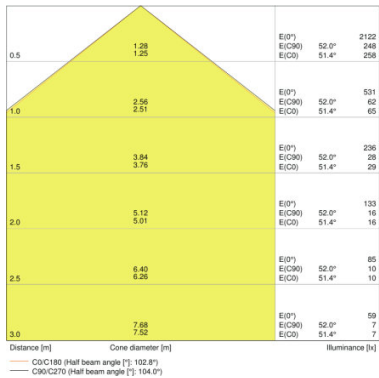


DL ALU DN 150 14 W 3000 K IP44 WT,  
DL ALU DN 150 14 W 4000 K IP44 WT,  
DL ALU DN 150 14 W 6500 K IP44 WT

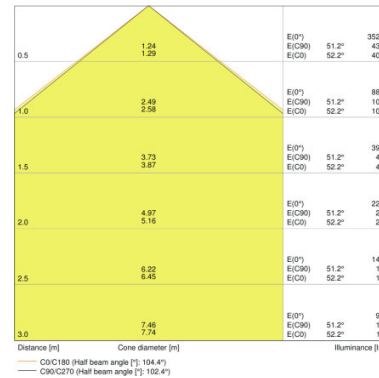
DL ALU DN 200 25 W 3000 K IP44 WT,  
DL ALU DN 200 25 W 4000 K IP44 WT,  
DL ALU DN 200 25 W 6500 K IP44 WT,  
DL ALU DN 200 35 W 3000 K IP44 WT,  
DL ALU DN 200 35 W 4000 K IP44 WT,  
DL ALU DN 200 35 W 6500 K IP44 WT

DL ALU DN 150 14 W 3000 K IP44 WT

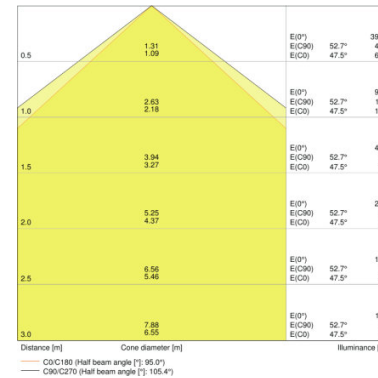
DL ALU DN 150 14 W 4000 K IP44 WT



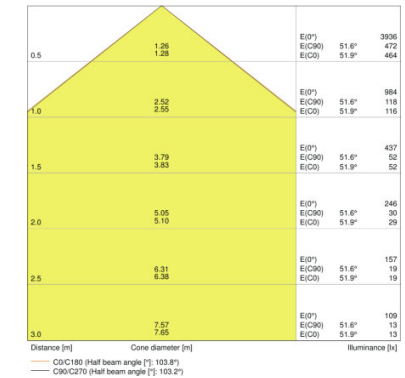
DL ALU DN 150 14 W 6500 K IP44 WT



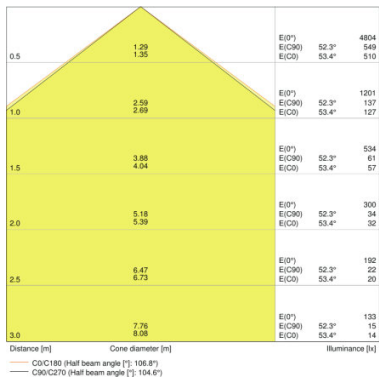
DL ALU DN 200 25 W 3000 K IP44 WT



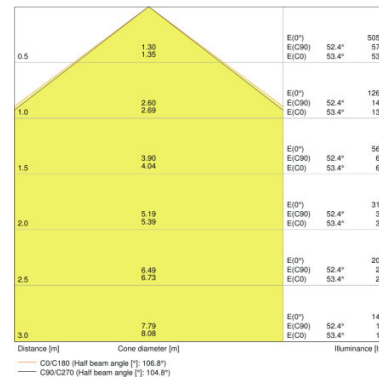
DL ALU DN 200 25 W 4000 K IP44 WT



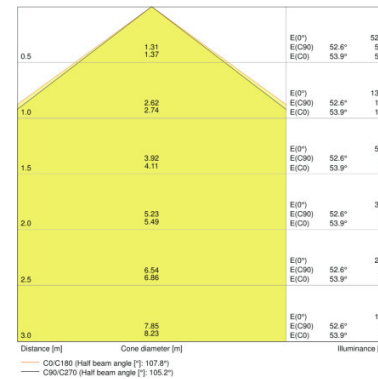
DL ALU DN 200 25 W 6500 K IP44 WT



DL ALU DN 200 35 W 3000 K IP44 WT



DL ALU DN 200 35 W 4000 K IP44 WT



DL ALU DN 200 35 W 6500 K IP44 WT

APPLICATION ADVICE

For more detailed application information and graphics please see product datasheet.

## LOGISTICAL DATA

Product code	Product description	Packaging unit (Pieces/Unit)	Dimensions (length x width x height)	Volume	Gross weight
4058075091436	DL ALU DN 150 14 W 3000 K IP44 WT	Shipping carton box 8	365 mm x 365 mm x 185 mm	24.65 dm <sup>3</sup>	4063.00 g
4058075091450	DL ALU DN 150 14 W 4000 K IP44 WT	Shipping carton box 8	365 mm x 365 mm x 185 mm	24.65 dm <sup>3</sup>	4092.00 g
4058075091474	DL ALU DN 150 14 W 6500 K IP44 WT	Shipping carton box 8	365 mm x 365 mm x 185 mm	24.65 dm <sup>3</sup>	4158.00 g
4058075091498	DL ALU DN 200 25 W 3000 K IP44 WT	Shipping carton box 8	462 mm x 462 mm x 240 mm	51.23 dm <sup>3</sup>	6830.00 g
4058075091511	DL ALU DN 200 25 W 4000 K IP44 WT	Shipping carton box 8	462 mm x 462 mm x 240 mm	51.23 dm <sup>3</sup>	6920.00 g
4058075091535	DL ALU DN 200 25 W 6500 K IP44 WT	Shipping carton box 8	462 mm x 462 mm x 240 mm	51.23 dm <sup>3</sup>	6870.00 g
4058075091559	DL ALU DN 200 35 W 3000 K IP44 WT	Shipping carton box 8	462 mm x 462 mm x 240 mm	51.23 dm <sup>3</sup>	6930.00 g
4058075091573	DL ALU DN 200 35 W 4000 K IP44 WT	Shipping carton box 8	462 mm x 462 mm x 240 mm	51.23 dm <sup>3</sup>	6860.00 g
4058075091597	DL ALU DN 200 35 W 6500 K IP44 WT	Shipping carton box 8	462 mm x 462 mm x 240 mm	51.23 dm <sup>3</sup>	6900.00 g

The mentioned product code describes the smallest quantity unit which can be ordered. One shipping unit can contain one or more single products. When placing an order, for the quantity please enter single or multiples of a shipping unit.

## REFERENCES / LINKS

For Guarantee see

▶ [www.ledvance.com/guarantee](http://www.ledvance.com/guarantee)

## DISCLAIMER

Subject to change without notice. Errors and omission excepted. Always make sure to use the most recent release.